

Product 6. Black 3W LED Pinspot



Textured White or Black pinspot with small trim. The LED chip is recessed back into the fitting reducing glare. Scallop effect is created when placed close to a wall. Coloured LED is also available.

MORE INFO

Cable size 1.5mm- Max driver distance: 50m

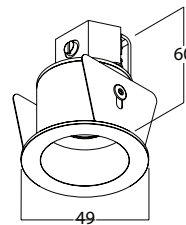
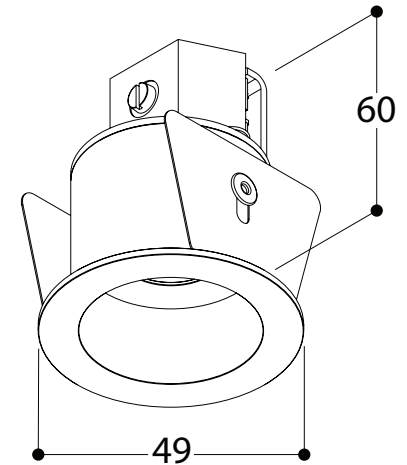
Wired: Series

Constant current

Driver:930510

Min 2 Max 5 fittings to one driver

250



BRIDGELUX (x1) 3W
350mA DC
dimmable PWM
250 Lumen



IP
20



40 mm

Installation height 60 mm

TEXT. WHITE

3000K		6250K	
33°	47°	33°	47°

Cut out: DIA40 mm

Installation height: 60 mm

