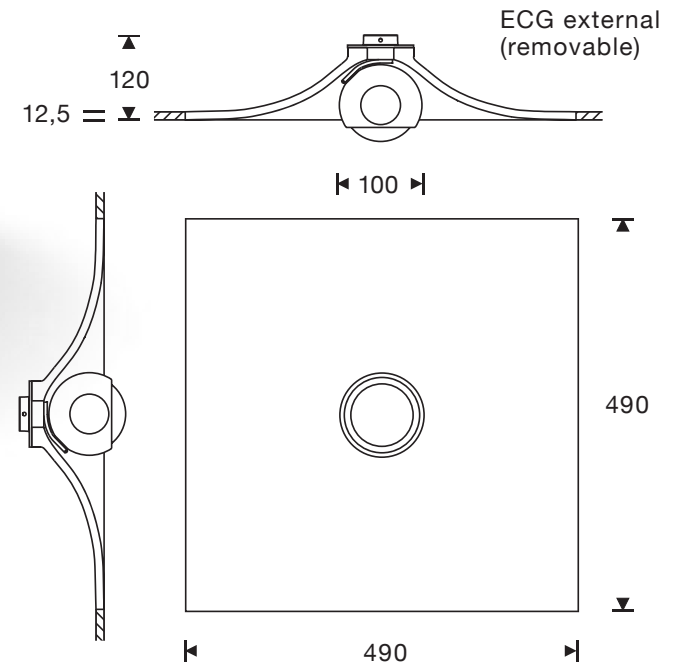


Product 245. Duna Downlight



IP 20      



materials light fixture
aluminium, zinc
chrome-plated or
painted

materials inserts
optical plastic, glass
plastering plate
fibre-reinforced plaster

surface head
chrome, matt chrome,
glossy black (nero),
matt black,
glossy white (bianco),
matt white
surface body
matt white

rotatability body
360°
pivot angle
30°
mounting
ceiling / wall

weight
head + body max. 0,8 kg
plastering element 3,8 kg

lighting effects C
see cutsheet page 2

dimming function
with trailing edge

phase dimmer, push
button, DALI or 1-10 V
(depends on driver)

ECG (driver)
external
driven by constant
current source
500 mA / > 40 V DC