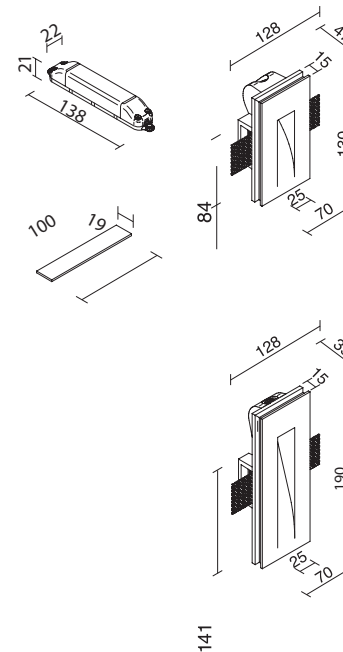


Product 18- Plaster Trimless Low Level Wall Lights



Gypsum sees a traditional material, such as plaster, being used to create new and surprising means for architectural lighting. When these fixtures are installed they blend in perfectly with the building materials and are fully integrated into the wall which can then be painted over in the required colour or wallpapered internally.



FINISH	LAMP	ELECTRIFICATION	LED COLOUR
E1	○	1 LED x 1W	N
E1	○	1 LED x 1W	W

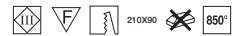
E1	○	1 LED x 1W	N
E1	○	1 LED x 1W	W

Weight Kg. 0,48
Volume m³ 0,005



E1	○	1 LED x 1W	N
E1	○	1 LED x 1W	W

Weight Kg. 0,57
Volume m³ 0,005



Drivers

1/2 LED 350 mA



3/6 LED 350 mA



Accessori / Accessories / Accesorios / Accessoires / Zubehör

Wired: Series
Constant current

Bianco Caldo da 2800 a 3400 °K
Warm-White from 2800 to 3400 °K
Blanco Calido de 2800 a 3400 °K
Blanc Chaud de 2800 à 3400 °K
Warmes Weiß ab 2800 bis 3400 °K

Bianco Naturale da 3700 a 4300 °K
Natural-White from 3700 to 4300 °K
Blanco Natural de 3700 a 4300 °K
Blanc Naturel de 3700 à 4300 °K
Naturales Weiß ab 3700 bis 4300 °K

