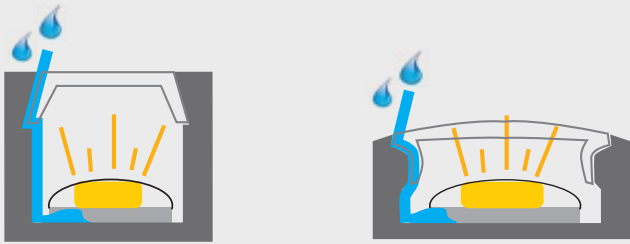


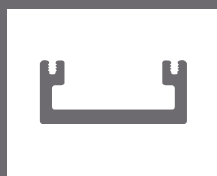
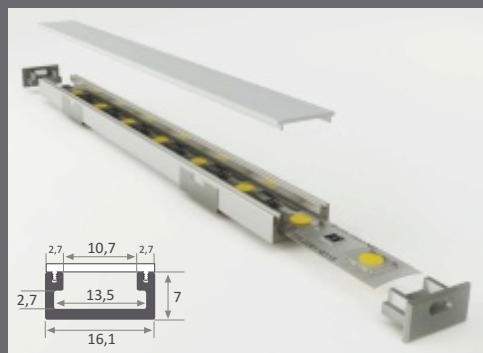
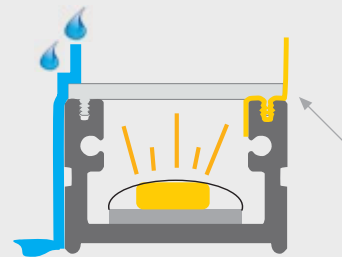
Normal System

The water enters into the profile and damages LED Strip. In this way, the life of the product will be shorter than expected according to project parameters. It is not suitable for outdoor use or for humid areas.



Our System „easy ON”

The double-syphon prevents both humidity and water to enter into the inner structure where the LED Strip lies. Thanks to it, the life of the product will be according to project parameters and we will achieve a perfect waterproofing effect.



PROFILE



COVER

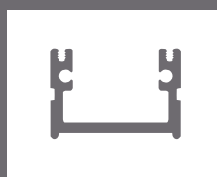
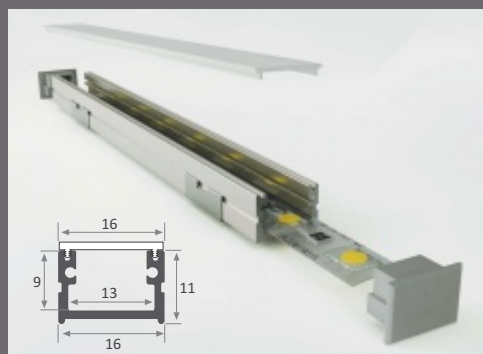


BRACKET



END CAP

LM



PROFILE



COVER

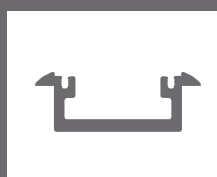
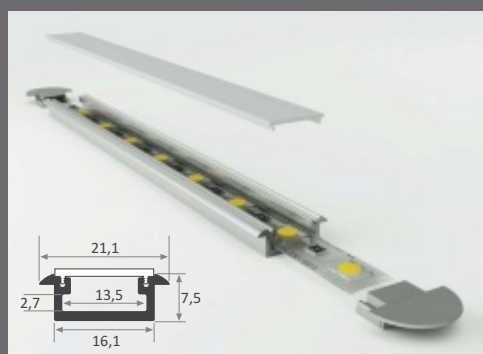


BRACKET



END CAP

LR



PROFILE



COVER

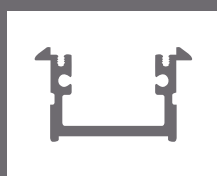
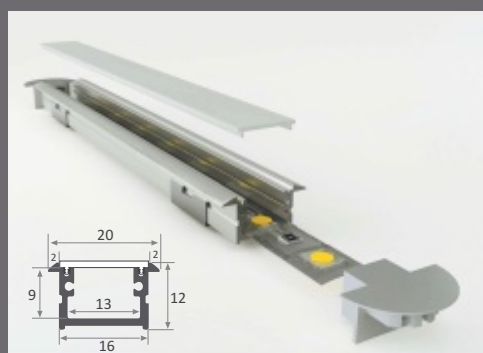


BRACKET



END CAP

LF



PROFILE



COVER

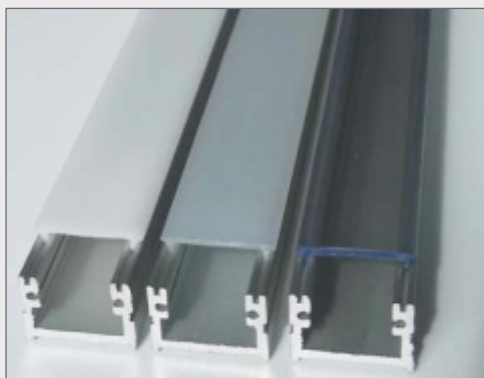


BRACKET



END CAP

LB



LP01/1 LP01/2 LP02/1

LP02/1: Transparent Cover

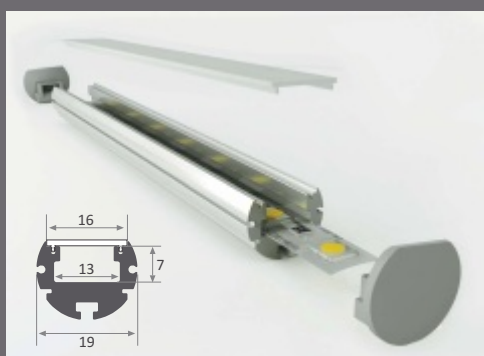
With a transmission of light of 95%, it is suitable for those installations which require major luminosity. This cover prevents the LED strip from being in contact with water and it can be used under indirect light, so that the optic effect does not harm the eyes.

LP01/2: Glazed Cover

With a transmission of light of 70%, it is suitable for those installations which require a good blurring effect. Thanks to profiles such as LR, LB, LP and LS and the special LedFlex strip we can hide perfectly the light dots.

LP01/1: Cover Opal

With a transmission of light of 50%, it is suitable for those installations which require a good blurring effect (actually, it is the cover which allows us to have the best blurring effect amongst all possible combinations). Thanks to profiles such as LR, LB, LP and LS and the special LedFlex strip we can hide perfectly the light dots



PROFILE



COVER

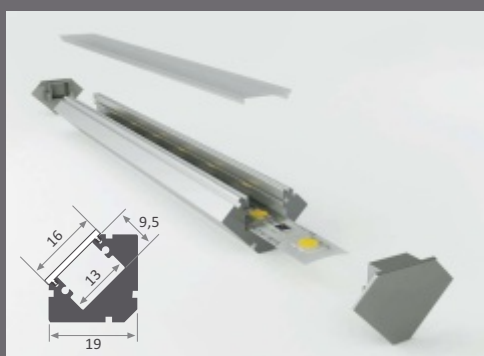


BRACKET



END CAP

LP



PROFILE



COVER

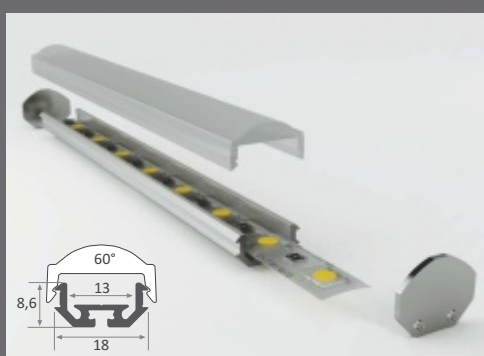


BRACKET



END CAP

LS



PROFILE



COVER

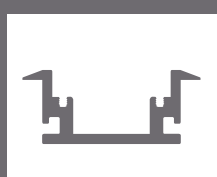
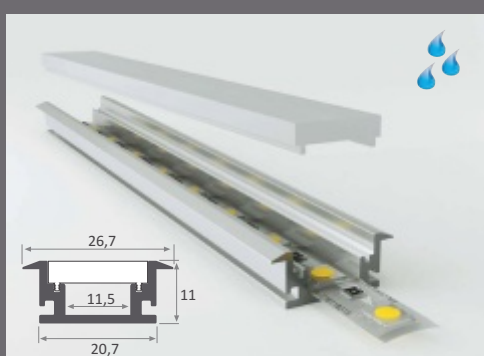


BRACKET



END CAP

LT



PROFILE



COVER

LD

Waterproof / outdoor